



IMPACT PULVERIZER

AUTO SUCTION HAMMER MILL

HAMMER MILL

BOTTOM DISCHARGE HAMMER MILL

SPICE MILL

POUNDING MACHINE

FOUR HAMMER POUNDING MACHINE

DRY & WET PULVERIZER



WET PULVERIZER

MINI PULVERIZER

JACKETED MINI PULVERIZER

BLACK PEPPER DAL MAKING MACHINE

MULTI CAMBER PULVERIZER

MINI DAL MILL

EMERY SCOURER

DAL POLISHER



VIBRO SCREEN

CENTRIFUGAL SIEVES / SIFTER

RIBBON BLENDER

SINGLE PADDLE MIXER 'U' TYPE

DOUGH KNEADER

SEMI AUTOMATIC CHAPATI MAKING M/C

RAW CHAPATI MAKING MACHINE

AUTOMATIC CHAPATI MAKING MACHINE



NOODLE MAKING MACHINE

NOODSLE STEAMING MACHINE

ECONOMIC STEAMER

IDLI DHOKLA MOMOS STEAMER

SHEVAYA MACHINE

VERMICELLI MAKING MACHINE

TRAY DRYER DRYING OVEN

VEGETABLE PEELER



POTATO CHIPS CRISPS MAKING MACHINE

HAND OPERATED POTATO CHIPS MAKING MACHINE

FRENCH FRY MAKING MACHINE

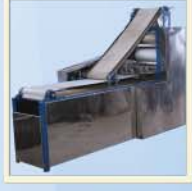
BANANA WAFER MACHINE

RECTANGULAR FRYER

CIRCULAR BATCH FRYER

CONTINUOUS FRYER

COATING PAN



MKEEN MAKING MACHINE

CENTRIFUGAL DRYER MACHINE

DOUGH KNEADER WITH EXTRUDER

PAPAD MAKING MACHINE

CONTINUOUS PAPAD DRYER

PANI PURI MAKING MACHINE

ECONOMIC MIXER GRINDER BLENDER

MIXER GRINDER BLENDER



STIRRER

MULTIPURPOSE VEGETABLE CUTTER

VEGETABLE SLICER, DICER, GREATER

GREEN CHILL ONION CHOPPER

DRY FRUIT TUKDA MACHINE

DRY FRUITS CHIPS MAKING MACHINE

DRY FRUITS CHIPS MAKING M/C WITH MOTOR

MULTIPURPOSE DRY FRU CHIPS & POWDER MACHIN



CENTRIFUGAL JUICER

MASTICATING JUICER

VEGETABLE & FRUIT PULPER

HOT BEVERAGE VENDING MACHINES

Jas ENTERPRISES

AN ISO 9001:2008 CERTIFIED COMPANY

60, SHREENATHJI ESTATE, PANNA ESTATE ROAD, RAKHIAL, AHMEDABAD, GUJARAT - 380025, INDIA
TELEPHONE: +(91)-(79)-22745454 FAX: +(91)-(79)-22745062 GSM: +(91)-9427417384-9426068680

URL: <http://www.jasenterprise.com/>
E mail: info@jasenterprise.com & jasparvan1990@gmail.com

DOE TO CONTINUOUS IMPROVEMENTS, WE RESERVE THE RIGHTS TO ALTER AND OR AMEND DIMENSIONS DESIGN WITHOUT PRIOR NOTICE.

Jas Enterprises

An ISO 9001:2008 Certified Company

IMPACT PULVERIZERS

The TECHNO WINGS Impact Pulverizer meets most capacity requirements. It lends themselves to a wide degree of adjustment with fineness of the finished products ranging from about 60 mesh to bulk passing through 300 B.S.S. mesh depending to a considerable extent on the particular materials being handled.

The Techno Wings Impact Pulverizer / Pulveriser is a versatile grinding unit of heavy and rugged construction and built for continuous operation day after day. The impact pulverizers are especially designed for the medium fine, and fine size reduction.

The impact Pulverizers meet most capacity requirements and lend themselves to a wide degree of adjustments with fineness of the finished product ranging from about 60 mesh to bulk passing through 300 mesh, depending on a considerable extent to the particular material being handled. Unlike an ordinary hammer mill, it has no screens to break, wear out or clog in the crushing chamber. The Techno Wings Impact Pulverizers are combines grinding, classifying and conveying all in one single unit.



Operating Principle of Impact Pulverizer

The impact pulverizer consists of an encased rotor carrying swing hammers, whizzer classifier for fineness regulation and pressure gradient creator mounted on a solid shaft. Raw material to be pulverized enters the crushing chamber through the hopper or the automatic rotary feeder. The impact of the hammers on the feed material against the liner plates reduces it into fine powder. The ground material is carried towards the whizzer classifier for classification and the oversize particles are rejected by the classifier and returned to the crushing chamber for further grinding. The classified material is then conveyed into the Cyclone for collection and bagging. A dust collector is provided in the system for ensuring dustless operation and for no loss of ground powder.

Typical Application of Impact Pulverizer

The Techno Wings Impact Pulverizers are used for a wide range of application e.g. Agricultural, Chemicals, Carbon & Graphite, Coal, Coke, Coconut Shell & Wood Saw Dust, Clay, Dye Stuff & Pigments, Detergents, Ferro Alloys Fertilizers, Fillers, Food Products, Herbs & Spices, Insecticides and Pesticides, Katha, Marine feeds, Minerals, Plastics, Pharmaceuticals, Resins, et cetera

Outstanding Features of Impact Pulverizer

- High speed rotor assembly two-way reversible hammers / Beater
- Easy access to impact pulverizers interior through dual access doors
- Available in different size & models
- Cold & silent running
- Dust free operations
- Robust Construction
- Low Specific Power Consumption
- Durable Long Life
- Guaranteed grinding efficiency, particle sizes are finer and more uniform than that obtained from machine using screen

Jas Enterprises

An ISO 9001:2008 Certified Company

Construction of Impact Pulverizer

Type: Air Swept Impact Mill with Whizzier Classifier operation in closed circuit

Body: Solid iron, machined and aligned on a strong iron base with top covers bolted.

Feeder: Automatic Rotary Feeder, gear driven from the main shaft with feed control mechanism

Crushing Chamber: Lined with renewable solid iron (Stainless steel optional) breaker plates

Rotor: Machined mild steel thick plates mounted on main shaft

Shaft: Solid Alloy Steel

Classifier: Mild Steel whizzier Classifier with adjustable spider to control fineness of ground powder up to 300 mesh depending on the type of material being pulverized

Bearings: self-aligning ball bearings in cast iron housing with suitable grease cups for lubrication

Hammers: Forged alloy steel, hard faced, with manganese steel electrodes and balanced.

Blower: Paddle type with replaceable blades

Cyclone: Mild Steel sheet fabricated

Dust Collector: Top and Bottom halves of Mild Steel Sheet, to be interconnected by dust bags

Piping: All interconnecting Mild Steel piping supplied with loose flanges to facilitate easy erection

Standard Accessories of Impact pulverizer:-

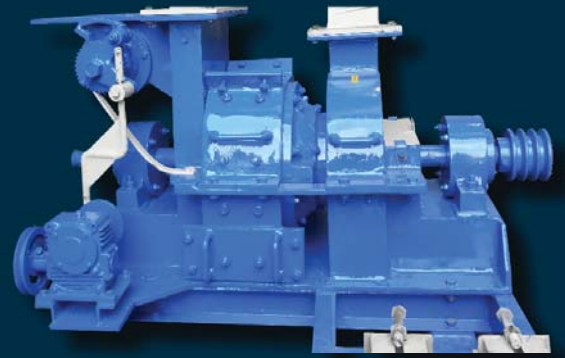
- Motor Pulley
- 2 Number cotton balloons.
- Anti vibrating foundation stand with adjustable rail for motor

Extra Accessories of Impact pulverizer:-

- Suitable totally enclosed fan cooled three phase squirrel cage motor as per is: 325. {Electricity (special power can be accommodated): 110/220/380/415 volts, 50/60 Hz, 1/3 phase}
- Starters, main switch, ampere meter, capacitor for three phases
- Foundation bolts
- V Belts
- All Contacting Parts Stainless Steel 304 / 316 can be accommodated

Available models of Impact Pulverizer

Model No	Re- quired. HP	RPM	Required Space in feet	Production Capacity Per Hour in kilogram			Net / Gross Weight (kilograms) {Shipping Volume (m3)}
				Bangle Gram	Minerals	Aruvedic Medicines	
TW-IP-12	5-7.5	3500-2800	10 X 10 X 10	60-75	75-100	20-25	
TW-IP-12 B	7.5-10	3500-2800	10 X 10 X 10	100-120	N.A.	N.A.	
TW-IP-16	10-15	2300-2500	10 X 10 X 10	140-160	150-200	50-60	
TW-IP-16 B	15-20	3500-2500	10 X 10 X 10	180-200	N.A.	N.A.	
TW-IP-20	15-20	2300-2500	10 X 10 X 11	200-250	250-300	80-100	880 / 1250 {5}
TW-IP-25	25-30	1800-2000	10 X 10 X 13	300-400	400-500	130-150	1800 / 2300 {9.5}
TW-IP-25 B	30-35	1800-2000	10 X 10 X 13	400-500	N.A.	N.A.	
TW-IP-32	40-50	1800-2000	12X10X16	600-700	700-900	250-300	
TW-IP-32 B	50-60	1800	19X10X18	700-900	900-1100	300-350	
TW-IP-42	80-100	1800	20X12X20	1000-1200	1100-1400	400-500	7500 / 9300 {45}
TW-IP-42 B	100-125	1800	20X12X20	1200-1500	1400-1700	500-600	
TW-IP-52	150-175	1400	24X12X24	1600-1800	1800-2000	600-700	



LAYOUT OF PULVERIZER :

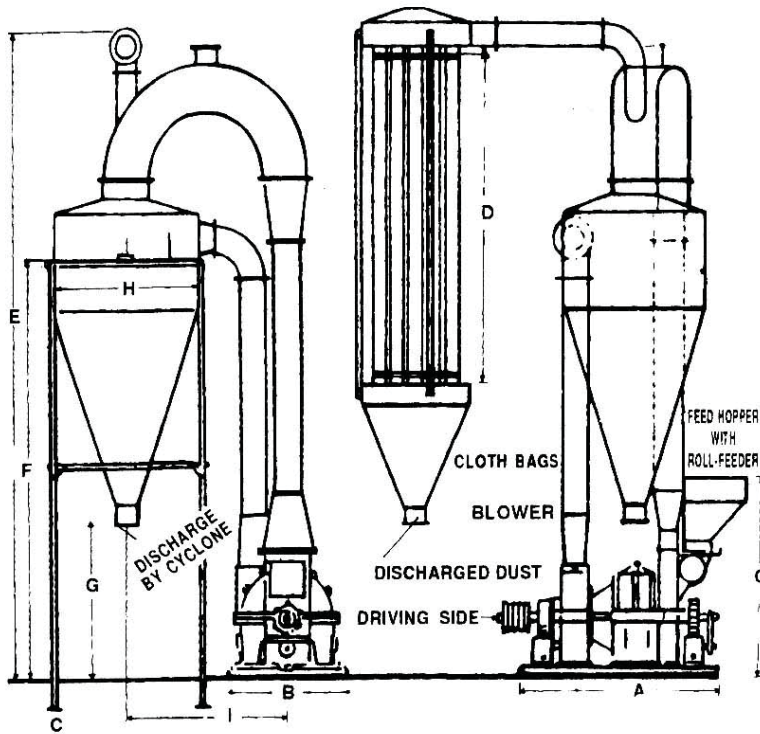
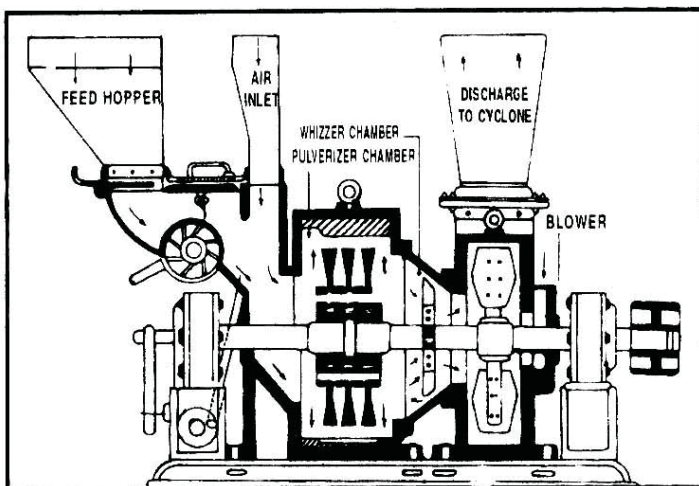
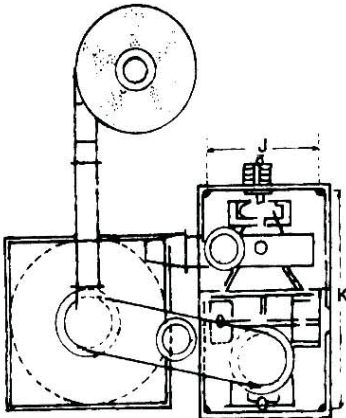


CHART FOR DIMENTIONAL DETAILS IN INCHES					
Size	20"	25"	32" STD	32" BRD	42"
A	37	44	56	67	70
B	28	33	41	41	50
C	42	51	56	56	66
D	56	75	92	92	100
E	130	160	177	177	225
F	68	92	115	115	125
G	36	36	36	36	36
H	36	42	48	48	72
I	41	54	54	54	103
J	15	26	33	33	38
K	21	36	48	52	59



**SECTIONAL VIEW
SHOWING INTERNAL
CONSTRUCTION
AUTOMATIC FEEDER
PULVERIZING CHAMBER
WHIZZER CONE
AND BLOWER**